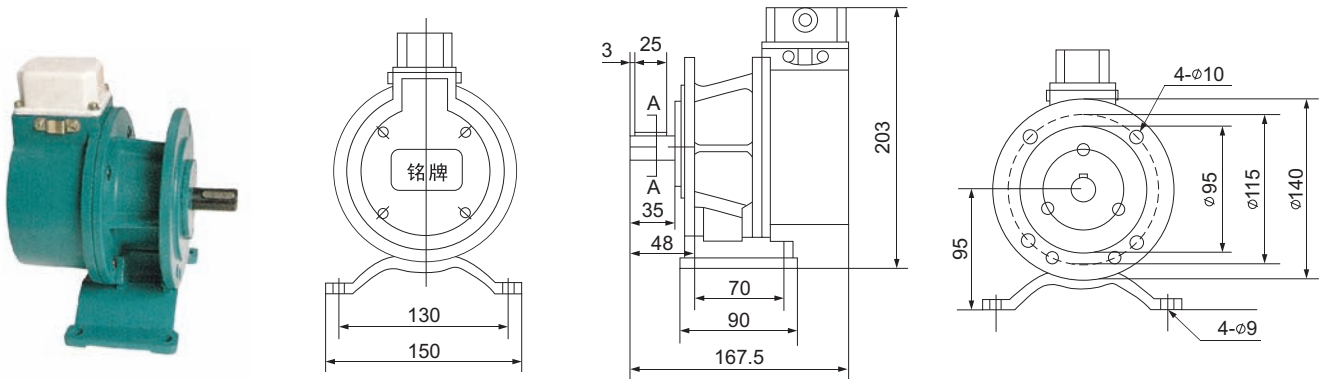


LLY1G series overspeed switch 系列超速开关

LLY1G系列超速开关是企业吸取国外先进技术结合国内实际需求自行研制开发的新型产品。具有体积小、动作准确、转速规范、正反转双向保护、抗干扰能力强、运行稳定、调速范围广、自动复位、外壳防护等级高、安装方便等特点。广泛用于冶轧传动、水力发电机组、内燃动力旋转机械和升降卷扬系统等工业领域、并常与直流测速发电机、编码器组合成速度信号的发生和控制装置、是一种理想可靠的保护元件。
该产品符合GB14048.5-2001标准。

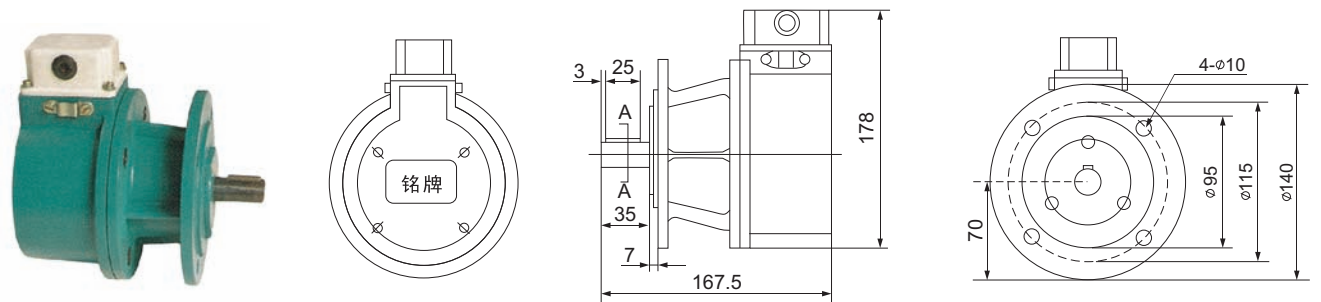
LLY1G series is the speeding switch absorbing foreign advanced technology with the actual demand of self-developed new products. With small volume, precision and speed regulating action, positive & negative two-way protection, strong anti-jamming capability, stable operation, wide range of speed, automatic reset, shell, convenient in installation, high level protection etc. Widely applied in milling, turning into hydroelectric unit, internal-combustion power rotating machinery and lift hoisting system etc industries, and often and dc tachogenerator, combination of speed signal encoder and control devices, it is a kind of ideal reliable protection components.

The product conforms to the standard GB14048.5-2001.



LLY1G-2/□型超速开关
LLY1G-2/□overspeed switch

LLY1G-2/□型超速开关外形及安装尺寸
LLY1G-2/□ overspeed switch Shape and mounting dimensions



LLY1G-2/□D型超速开关
LLY1G-2/□D overspeed switch

LLY1G-2/□D型超速开关外形及安装尺寸
LLY1G-2/□D overspeed switch Shape and mounting dimensions